



微信公众账号



FACEBOOK

安徽长庚光学科技有限公司

www.laowalens.com

服务热线:400-066-1316

Email: sales@laowalens.com

电话Tel:(+86) 0551-69107990

地址:合肥市庐阳区天水路与太和路交口庐阳中科大校友创新园5号楼

Add: Building 5, USTC Alumni Innovation Park, Crossing of Tianshui
and Taihe Road, Luyang District, Hefei City, Anhui Province, China

LAOWA FF II 11mm F4.5 C-Dreamer Light

使用手册

Instruction Manual

LAOWA 老蛙

本公司保留更改产品设计与规格的权利, 届时恕不另行通知;
本公司保留对此《使用说明》的最终解释权。


Please note we reserve the right to change our product's
design and specifications at any time without notice and
to the final interpretation of the *Instruction Manual*.



前言

真诚的感谢您选购FF II 11mm F4.5 C-Dreamer Light 镜头!为了让您充分理解本产品的使用方法和注意事项,请您在使用前仔细阅读本说明书。



 为了操作上的安全,使用本产品前请务必仔细阅读使用手册和注意事项,并将手册放在需要时容易取得的地方。如遇到不能解决的问题请拨打售后电话获取技术支持。

主要特色

- 此款镜头是针对无反全画幅相机系统开发的超广角镜头，焦点距离11mm，视场角126°，将镜头体积做到极限，同时具备了高性能、低畸变、小巧轻便的特色和优势。难以想象的超宽视角，比普通超广角包容更多的元素，带给摄影师难以想象的极致体验。
- 该镜头具有全画幅11mm，126°超宽视野，难以想象的摄影视野，给你更多的发现和想象。
- 镜头结构采用2片非球面镜片，和3片ED镜片，保证镜头锐度，有最大限度的降低了色散和畸变，同时提高了边缘画质。
- 该镜头全金属结构，针对徕卡M卡口，设计黄斑对焦功能，对焦更方便，准确。
- 前置62mm圆形滤镜，可以搭配100mm方镜支架使用，让风光摄影师有更多的滤镜选择。
- 5片光阑叶片，容易拍出炫丽夺目的10针星芒。
- 此款为轻量版本，相较于原版，重量轻了50g，减重约20%。

注意事项

△ 安全注意事项

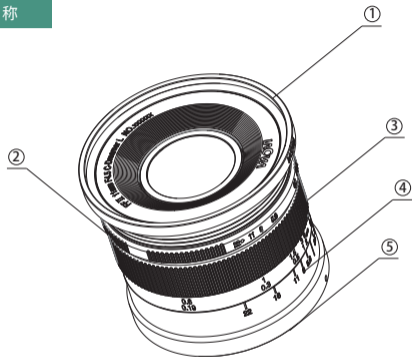
- 切勿自行拆解、修改或改装。当产品由于外力原因破损，切勿触碰外露部分或破损边缘处。
- 切勿放置于直射阳光下、封闭车辆中或其余高温处，否则过高的温度会使镜片和其他部件产生伸缩变形。
- 不使用镜头时，请将镜头前盖盖上或置于没有阳光照射处。凸透镜反射出的光线可能会聚集在附近物体上，导致发生火灾。
- 在逆光拍摄时，切勿将太阳置于画面中心，应该使太阳充分偏离画角，否则阳光会在相机内部聚集并导致火灾或灼伤眼睛。

注意事项

长期使用保养注意事项

- 避免触摸镜头表面,应用专用镜头布或气吹去除镜头表面的尘埃,不使用镜头时,应将镜头盖盖上。
- 使用镜头纸或镜头布清洁时,以螺旋的方式从中间向外擦拭镜头上的污垢以及指印。
- 镜头从寒冷的环境突然转移至温暖的环境时,镜头的外部以及内部镜片将会凝结水雾,所以在转移时应采取防潮保护措施。

各部件名称



① 滤镜安装螺纹

③ 对焦环

⑤ 卡口

② 光圈环

④ 景深刻度

■ 镜头的装卸

取下镜头后盖。将镜头卡口⑤上的安装标记对准相机座圈上的对应标记, 随后将镜头插入机身座圈, 根据所购买卡口的安装方向旋转镜头, 直至咔嚓声锁紧镜头。安装时请不要用力过猛, 以免导致卡口损伤。

关机后按住相机上的镜头释放按钮, 依照所购买卡口的安装方向反向旋转镜头, 随后将镜头从座圈中拔出。

装上镜头后, 请尝试旋转镜头确认是否已将其固定在相机上。

■ 对焦方式

此款镜头是全手动对焦镜头, 合焦时, 缓慢旋转对焦环③, 直至合焦。

不要过猛过快地旋转对焦环, 避免用力过度损坏对焦环部件。

镜头上的距离刻度③与景深刻度④是出于指导目的。实际焦点与最深可能同刻度标记稍有不同。

■ 黄斑对焦使用方法(针对徕卡M卡口)

黄斑叠影对焦是机械式的一种对焦方式, 其中一个测距孔与取景框共用, 另一个较小的圆形(或方形)测距孔上安有黄色滤色片, 对焦时转动镜头只要测距黄框内两叠影重合对焦即完成。在控制好光圈和快门速度后, 把要对焦准确的地方放在黄斑范围之内, 可看到有两个影子, 适当转动变焦环, 让两个影子重合, 对焦就完成了。根据徕卡M系列的特性, 对焦距离在0.7m以内黄斑对焦不联动, 此款镜头在距离标尺0.7m处设置了限位, 让摄影师能够更精准的对焦。0.7米以内属于近摄微距范围, 建议使用LV放大对焦。

■ 对焦方式

光圈在镜头上调节, 根据拍摄环境和与所需要的景深, 转动光圈环②选择对应的光圈。

由于此镜头无CPU数据, 所以暂时无法记录光圈参数。

由于光圈为手动调节, 无法较好的使用快门优先模式, 但可以使用光圈优先模式(测光准确度视相机型号而定)。

规格表

FFII 11mm F4.5 C-Dreamer Light	
镜头型号	FFII 11mm F4.5 C-Dreamer Light
画幅	全画幅
焦距	11mm
视角范围	126°
最大光圈	4.5
最小光圈	22
镜片结构	10组14片
光阑叶片	5片
最近摄影距离(物像距离)	19cm
最大放大倍率	0.1
合焦驱动方式	手动
滤镜直径	φ62mm
镜头尺寸(直径/长)	φ65*56mm
重量	206g
卡口	徕卡M、索尼FE、尼康Z、L、DL

新创意·新乐趣



PREFACE

Thank you very much for purchasing FF 11mm F4.5 C-Dreamer Light. Read this operation manual carefully to familiarize yourself with its contents and ensure that you can operate the product properly.



△ Prior to use, please read this Instruction Manual before to ensure proper use. Keep the Instruction Manual in hand and refer to it whenever needed. If you are unable to solve a problem by reading the manual, please contact our after-sales service for further technical support.

FEATURES

- This lens is designed for full-frame mirrorless cameras, and the lens' focal distance is 11mm and the angle of view is 126°. This lens is super compact and lightweight. It features low distortion and high image quality. This lens delivers much more content than a traditional ultra-wide-angle lens, which brings exceptional experience for photographers.
- 11mm for full-frame and 126°angle of view offers a dreaming angle of view and more space for photographers to create.
- This lens incorporates 2 pieces of aspherical glass and 3 ED glass elements to deliver corner-to-corner sharpness and correct the chromatic aberration and distortion.
- This lens is fully mental and designed for Leica M bayonet.
- This lens also incorporates rangefinder focus to make focusing more accurate.
- This lens, with 62mm filter thread, can be used with the 100mm square filter holder, which gives more options to landscape photographers.
The lens has an 5-blade aperture design that produces 10 ray points.
- This is a lightweight version, which is 50g lighter than the original and reduces weight by about 20%.

PRECAUTIONS

⚠ Safety Precautions

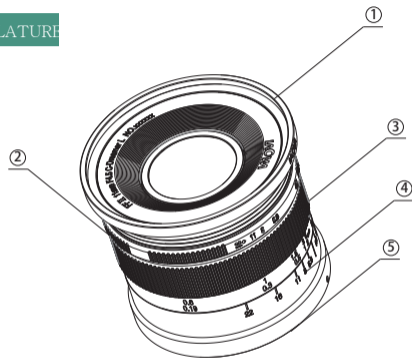
- Do not disassemble or modify the lens by yourself. Do not touch the internal parts that become exposed as the result of external force.
- Do not leave the lens where it will be exposed to high temperatures, such as in direct sunlight and an enclosed vehicle. Excessive heat may deform the glass elements and other parts of the lens.
- Do not leave the lens under the sun. If sunlight is focused on a nearby object, it may cause a fire. Keep the lens cap attached when it' s not in use.
- Do not place the sun in the frame center when shooting with backlight. Doing so might cause a fire or harm your eyes.

PRECAUTIONS

■ Maintenance Precautions

- Do not touch the lens contacts. Clean by a lens cloth or a blower. Always place the lens cap on the lens when storing.
- Try a circular motion from the center outward when using a lens tissue or a cleaning cloth to remove oil, fingerprints, and grime on the lens surface.
- If your lens is brought directly from a cold place to a warm place, condensation may appear on the lens. To avoid this, be sure to take some action to protect the lens.

NOMENCLATURE



- ① : Mounting thread for filter ② : Aperture ring
③ : Focus ring ④ : Depth of field scale ⑤ : Bayonet

■ Mounting and Detaching the Lens

Remove the rear lens cap. Align the mounting index on the lens bayonet⑤ with the mounting index on the camera, then insert the lens into the camera mount and rotate it in the direction for your lens version until it locks. Do not use excessive force during installation to avoid damage to the bayonet.

Turn the camera off. While pressing and holding the lens release button on the camera, rotate the lens in the reverse direction for attaching the lens until it stops, then detach the lens.

After attaching the lens, please try to rotate the lens to make sure it mounted onto the camera properly.

■ Focusing

This is a fully manual lens. Rotate the focusing ring③ slowly to get focus.

Turn the focus ring slowly and gently to prevent the focus mechanism from damage.

The distance scale③ and depth of field scale④ are for instructional purposes. Actual focus and DOF may slightly differ from those scale indications.

■ Instructions for Rangefinder Focus(for Leica M bayonet)

Rangefinder focus is a kind of mechanical focusing mode, in which a distance finder hole is shared with the viewfinder, and a smaller circle (or square) distance finder hole is equipped with a yellow filter. During focusing, try to turn the lens until the two shadows in the yellow frame of distance finder coincided. After setting the aperture and shutter speed, put your subject in the macula area, then you can see that there are two shadows. Turn the focusing ring appropriately so that the two shadows overlap to complete the focusing.

According to the characteristics of the Leica M series, the focus is not linked to the rangefinder focus within 0.7m. This lens has a stop at the distance of 0.7m at the distance scale, allowing photographers to focus more accurately. Distance within 0.7 meters belongs to the close-up macro range because the depth of field is shallow, so it is recommended to use LV magnification focus.

■ Setting the Aperture

According to the shooting situation and desired depth of field, rotate the aperture ring② on the lens to the corresponding aperture.

This lens cannot provide actual aperture value to the camera since there' s no CPU data.

Aperture-priority is a better option than Shutter-priority for the lens because of its manual aperture. (Note that metering precision depends on the camera models.)

SPECIFICATIONS

FF II 11mm F4.5 C-Dreamer Light	
Model	FF II 11mm F4.5 C-Dreamer Light
Format	Full Frame
Focal Distance	11mm
Angle of View	126°
Max. Aperture	4.5
Min. Aperture	22
Lens Construction	14 elements/ 10 groups
Aperture Blades	5
Min. Shooting Distance	19cm
Max. Magnification	0.1
Focusing	MF
Filter Thread	φ62mm
Dimensions (Diameter/Length)	φ65*56mm
Weight	206g
Mounts	Leica M、Sony FE、Nikon Z、L、DL

新创意 · 新乐趣

新创意 · 新乐趣

New Idea . New Fun .